

Liberty Ridge Tote Bags

Materials for Medium Tote - approx. 16" x 11"

2 medium flags from 1 Liberty Ridge Panel

6 assorted fat 1/4ths

7/8 yd. fusible fleece

For Small Tote

4 assorted fat 1/4ths

5/8 yd. fusible fleece

Cutting

Trim flags to include $\frac{1}{4}$ " seam allowance

From assorted fat 1/4ths:

For lining for medium tote, from two of the light fat 1/4ths, cut:

2 - $18\frac{3}{4}$ " x $13\frac{1}{2}$ ". *These need to be cut first as they use almost all of a fat 1/4th.*

2 strips - 3" x $18\frac{1}{2}$ " * for bottom of flags

1 - 12" x 20"* for inside pocket

*We used the same fabric for bottom and inside

pocket. *These are the second largest cuts, so plan which fabric to use before cutting the handles and side pieces.*

4 - 2" x $10\frac{3}{4}$ " strips for sides (we used 2 different fabrics)

2 - 4" x $10\frac{1}{2}$ " strips, from each of the 3 different fabrics, for handles

From Fusible fleece, cut:

4 - $18\frac{1}{2}$ " x 13" for front and back of outer bag and lining pieces.

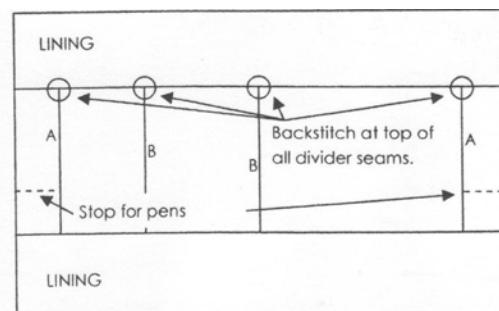
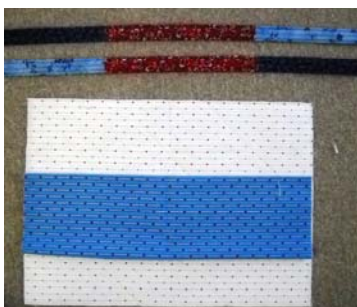
2 - 4" x $30\frac{1}{2}$ " strips for handles

1 - 6" x 20" for inside pocket

Assembly

Assemble Flag Units & Lining: Sew strips to sides, then bottom of flags. Fuse fleece to wrong side of the two flag units. Fuse fleece to wrong side of lining pieces. Quilt all four pieces as desired.

Inside Pocket: Fold inside pocket piece in half lengthwise and press. Open pocket strip, wrong side facing up and place 6"x20" fusible fleece up against the fold and fuse to one side of pocket. Refold pocket wrong sides together. Measure and mark line 3" up from bottom of one lining piece for pocket placement. Place pocket with finished edge pointing downward and raw edge even with marked line. Sew with a $\frac{1}{4}$ " seam edge to edge. Flip the pocket up and press. Topstitch along bottom edge of pocket. Now it is time to divide your pocket. The divider seams can be anywhere from $2\frac{1}{2}$ " wide for pens to 5" wide for cell phones or calendars. Trim edges of pockets even with lining.



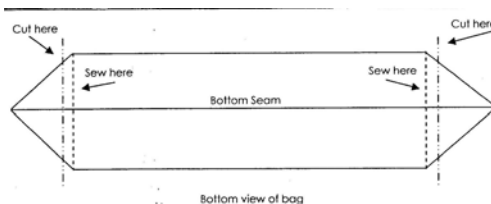
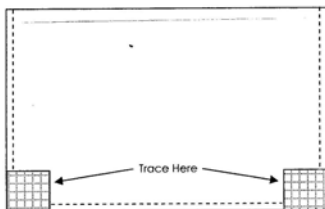
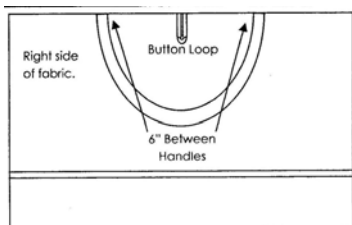
Handles: Sew 3 of the 4" x 10½" together for the handles. Make two. Each strip should measure 30½" long. Fuse the fleece (4"x30½") to the wrong side of both handle units. Press the handle units in half lengthwise, wrong side or fleece sides together. Open and press raw edges to middle. Now fold unit in half again, encasing raw edges inside. You will need to pin to hold handle together. Stitch a scant ¼" along long edge catching both folds in the seam. Now stitch a scant ¼" along other long edge of handle.

Handle Placement: Find the center of front and back flag units, measure out 3" from center and pin handles onto the bag. Make sure handles are not twisted. Stitch the handles onto the bag using a scant ¼" seam. See diagram below.

Assemble the outer bag & lining:

Place the outer bag pieces right sides together and stitch around the edge, leaving only the top open.

Place the lining pieces right sides together and stitch both sides, leaving the top open. Stitch along the bottom edge leaving an opening in the middle about 6" to 8" wide for turning.



Boxing the bottom of the bag:

With outer bag unit and lining unit turned wrong side out, mark a 2" square in each bottom corner of unit. You will be marking 8 squares! With the bag and lining still wrong side out, align the side seams with the bottom seam to box the bottom. Stitch on the lines that you have drawn. Trim the points leaving a ½" seam.

Sewing the bag together:

Turn the lining right sides out and outer bag inside out. Put the lining inside the bag, right sides will be together. Match the side seams first and pin. Pin all the way around the top opening. It should be nice and smooth with no tucks or pleating. Now stitch the lining to the bag along the entire opening at the top, using a ¼" seam allowance.

Finishing the bag:

Reach inside, through the opening in the bottom of the lining, grab the bag bottom and pull through the lining opening. Push the lining into the bag, pushing out the corners. Press the top edge of the bag so that the lining is fully inside the bag. Almost done! Top stitch along the top of the bag being careful to keep the lining inside the bag. You may want to use a denim needle for the top stitching. Also, it is helpful to lengthen your stitch.

Small tote - approx 11" x 8"

Cutting:

- 4 - 2" x 7½" strips for sides
- 2 - 2 ¾" x 13¾" strips for bottom
- 6 - 9" x 4" for handles
- 2 - 10" x 13¾" for lining
- 1 - 9" x 14" for inside pocket

From 5/8 yd. fusible fleece, cut:

- 2 - 4" x 26½" for handles
- 4 - 9 ½" x 13¼" for lining and outer bag
- 1 - 4 ½" x 14" for inside pocket

Assembly

Same as for medium tote

Handle placement - 2½" from center

Pocket placement - 2¼" up from bottom

